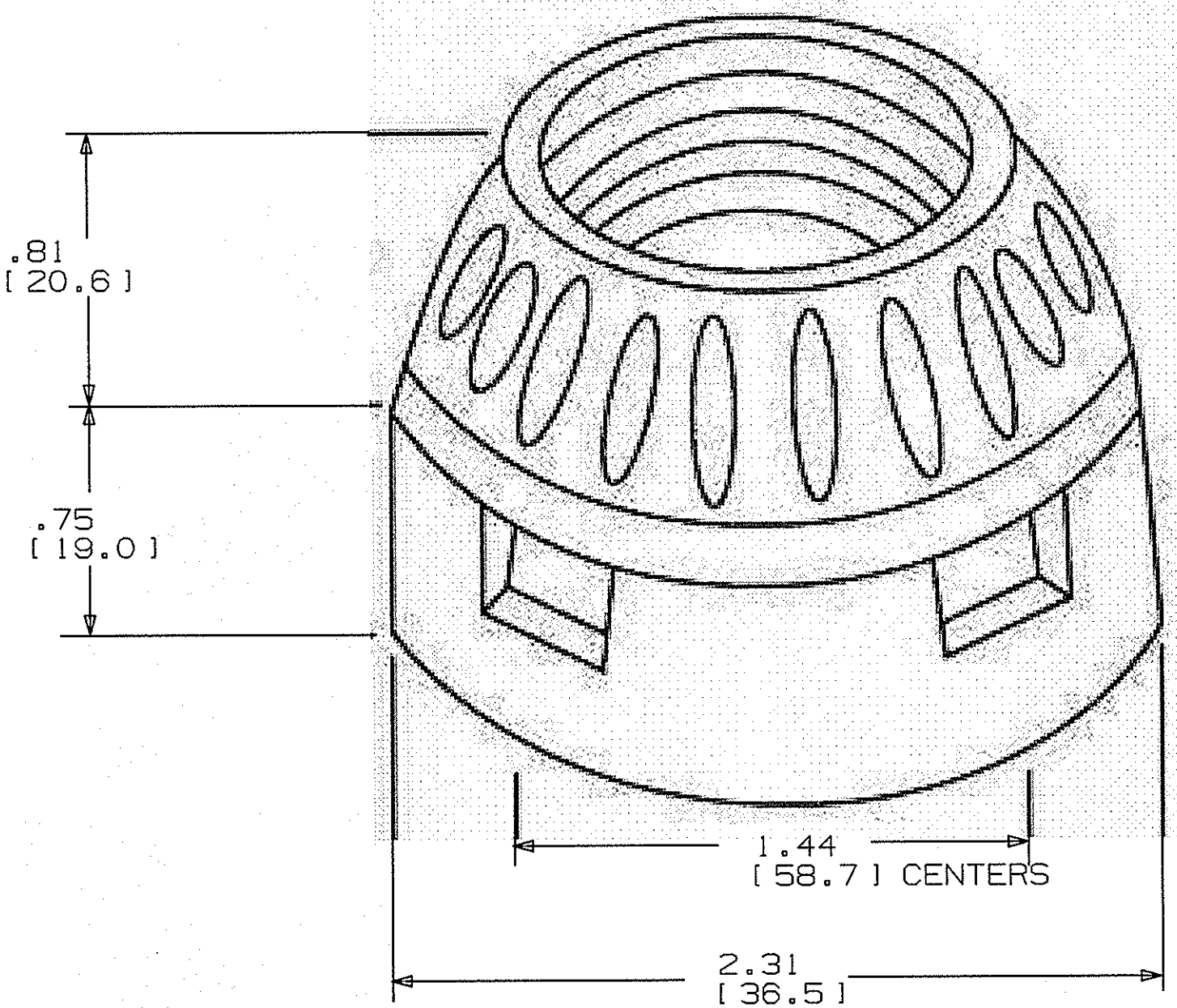


M11294 1



NOTES:

1. DIMENSIONS ARE INCHES [mm].
2. MOUNTS USING TWO SCREWS THROUGH BASE ON 1 7/16 IN.[36.5mm] CENTERS.
3. SCREW SHELL COMPLIES TO MEDIUM BASE LAMPHOLDER ANSI-C81.10 STD2-11-1 AND IEC E26.
4. UL, cUL US LISTED.
5. RATED 660W MAX, 250V MAX.
6. PACKAGING: PRODUCT PLACED IN BOX.

LIST OF PARTS

DESCRIPTION	MATERIAL	FINISH
BASE	PORCELAIN	WHITE
SCREW SHELL	ALUM	

1	12/01/09 RELEASE TO PRODUCTION PER DCN 16198	MAC CAC	
SYM	REVISIONS	APP	DATE

THE DESIGN AND DIMENSIONS OF THE PRODUCT SHOWN ON THIS DRAWING ARE SUBJECT TO CHANGE WITHOUT NOTICE

TITLE
INCANDESCENT SOCKET
MED BASE 2PIECE SURF MNT

TOLERANCES UNLESS OTHERWISE SPECIFIED		WIRING DEVICE-KELLEMS HUBBELL INCORPORATED BRIDGEPORT, CT	
FRACTIONS	± 1/64	DR. BY	DLI
DECIMALS	± .005	TR. BY	SCALE NONE
ANGLES	± 2°	CHK'D BY	DATE 04/01/09